

SPOOLER - MBB-20

BASIC EQUIPMENT DATASHEET



DESCRIPTION:

The MBB-20 spooler is a versatile equipment studied and manufactured by PCSC for use with small lengths of cables or optical fibre cables, where a reduced weight shall be handled and so the dimensions can be reduced.

MBB-20 is also well suitable for activities of cable recoiling and coiling for any relocation activity as small reels can be settled directly on the equipment thus avoiding major risks.

TECHNICAL DATA

Equipment Maximum Dimension:

- *Length:* 4.0 m
- *Width:* 3.0 m
- *Height:* 2.0 m

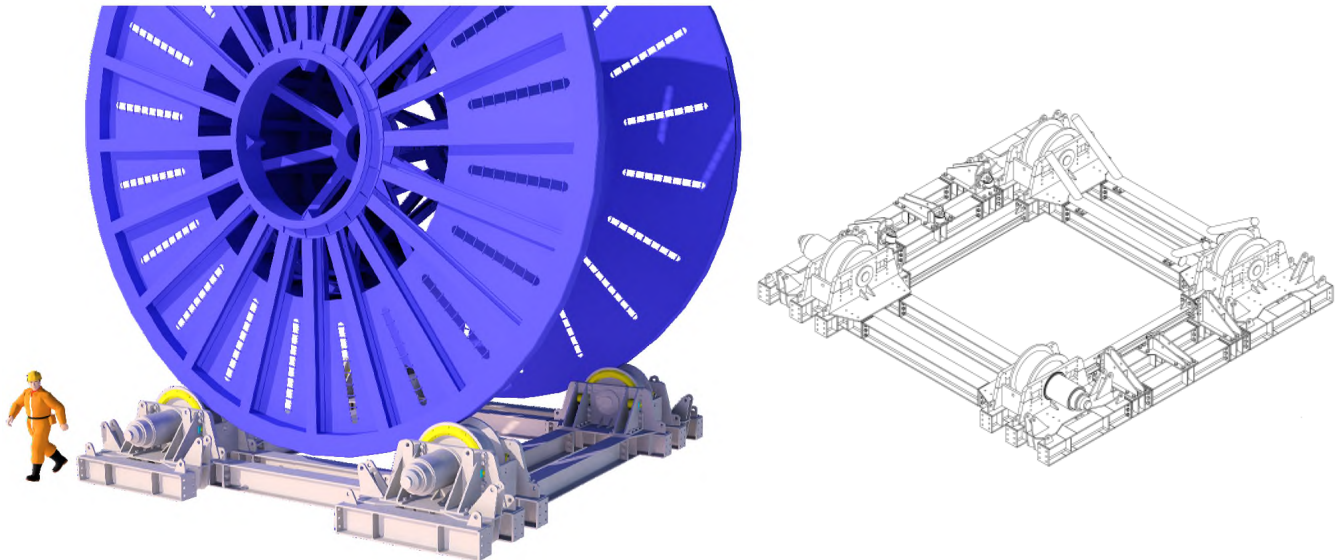
- *Weight (complete structure):* 4.0 T

Additional Data:

- *Maximum allowable load* : 20.0 T
- *Maximum speed coiling/laying* : 2.5 Km/h
- *Maximum allowable reel diameter* : 3.0 m
- *Minimum allowable reel diameter* : 1.0 m
- *Maximum allowable reel width* : 3.0 m
- *Minimum allowable reel width* : 1.0 m

SPOOLER - MBB-220

Basic Equipment Datasheet



DESCRIPTION:

The MBB-220 spooler is a versatile equipment studied and manufactured by PCSC for use with cables supplied in reels and it may be used either for cables and umbilical.

MBB-220 grants the proper cable uncoiling using the supply reel that can be settled directly on the equipment thus avoiding major risks.

The main chassis is hosting n. 4 groups of wheels motorized by 2 reduction-hydraulic engines.

The equipment is suitable and certified by RINA for handling up to 220T loading.

TECHNICAL DATA

Equipment Maximum Dimension:

- *Length:* 8.0 m
- *Width:* 8.0 m
- *Height:* 1.5 m

- *Weight (complete structure):* 30 tons

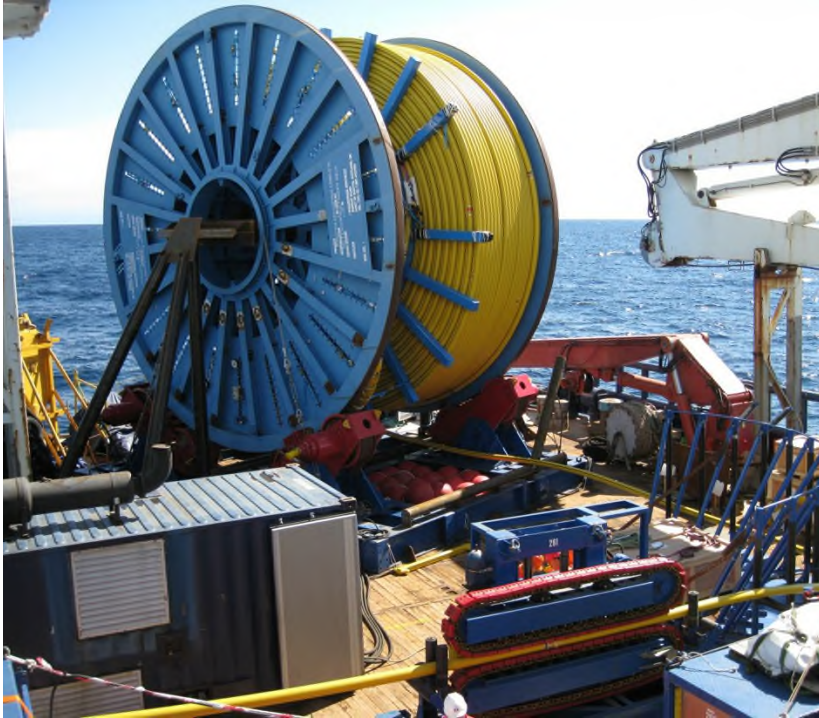
Additional Data:

- *Maximum speed coiling/laying:* 2.5 Km/h
- *Maximum speed during laying:* 2.5 Km/h
- *Maximum speed salvaging:* 2.5 Km/h

- *Maximum allowable reel diam.:* 10.0 m
- *Minimum allowable reel diam.:* 5.0 m
- *Maximum allowable reel width:* 8.0 m
- *Minimum allowable reel width:* 2.3 m

SPOOLER - MBB-440

Basic Equipment Datasheet



DESCRIPTION:

The MBB-440 spooler is a versatile equipment studied and manufactured by PCSC for use with cables supplied in reels and it may be used either for cables and umbilical.

MBB-440 grants the proper cable uncoiling using the supply reel that can be settled directly on the equipment thus avoiding major risks.

The main chassis is hosting n. 4 groups of wheels motorized by 4 reduction-hydraulic engines. Vertical Coiling System.

The equipment is suitable and certified by RINA for handling up to 440T loading.

TECHNICAL DATA

Equipment Maximum Dimension:

- *Length:* 14.7 m
- *Width:* 9.7 m
- *Height:* 14.0 m

- *Weight (complete structure):* 60 tons

Additional Data:

- *Maximum speed coiling/laying:* 2.5 Km/h
- *Maximum speed during laying:* 2.5 Km/h
- *Maximum speed salvaging:* 2.5 Km/h

- *Maximum allowable reel diam.:* 12.0 m
- *Minimum allowable reel diam.:* 5.0 m
- *Maximum allowable reel width:* 8.0 m
- *Minimum allowable reel width:* 2.3 m